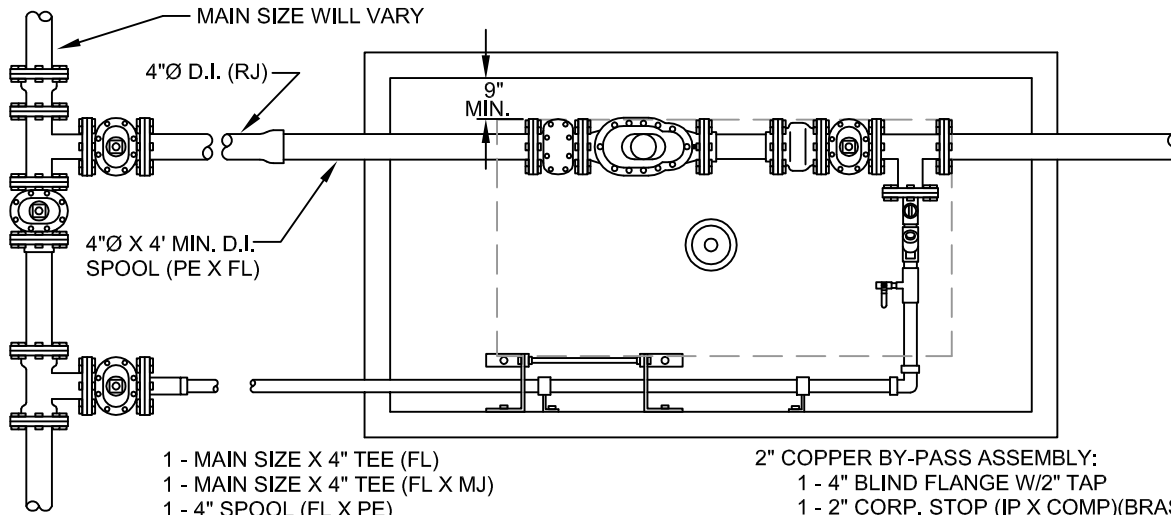
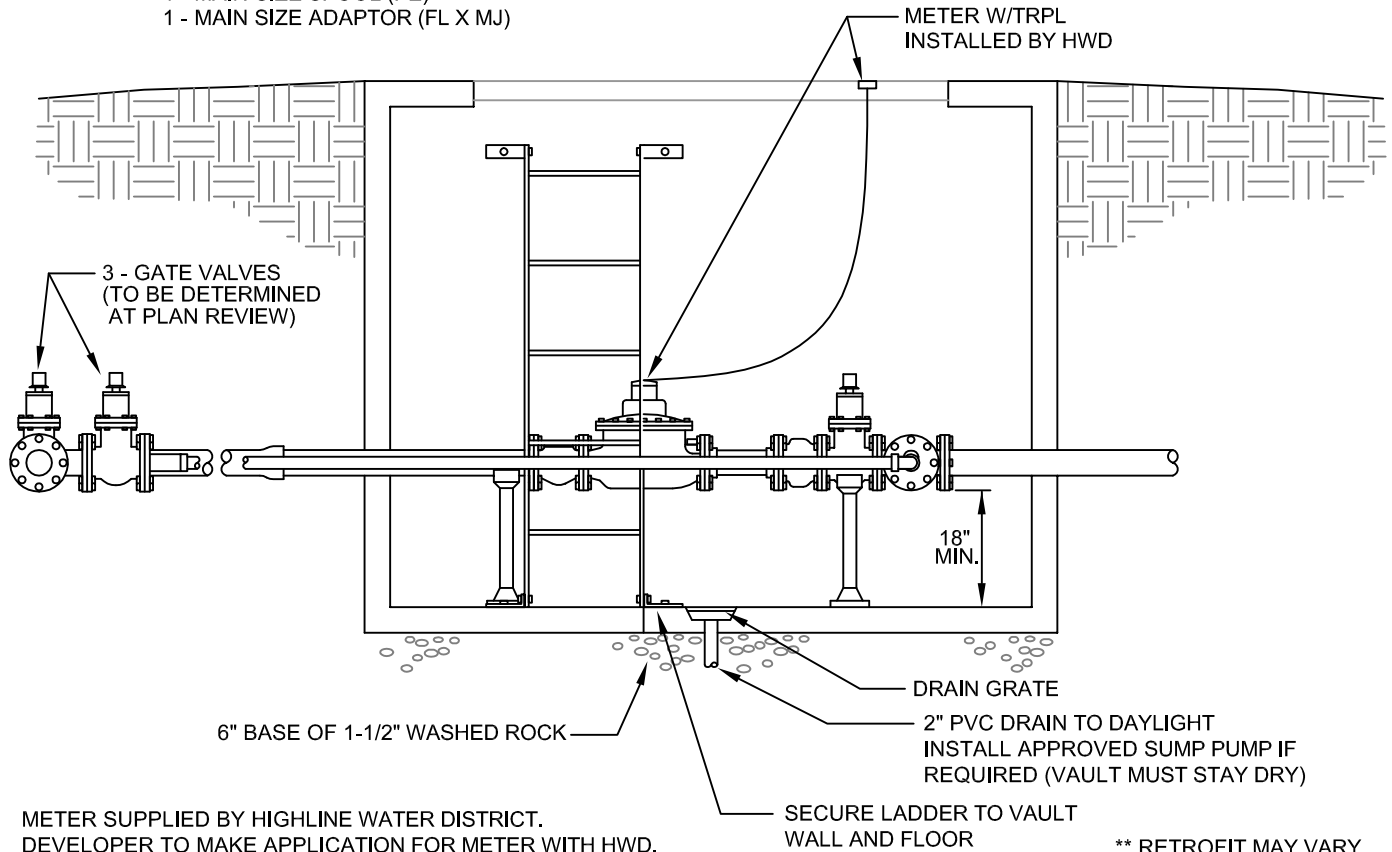


1 - CONCRETE VAULT (4484-LA) W/LADDER & BILCO STYLE LID (SEE STANDARD DETAIL #32).



- 1 - MAIN SIZE X 4" TEE (FL)
- 1 - MAIN SIZE X 4" TEE (FL X MJ)
- 1 - 4" SPOOL (FL X PE)
- 1 - 4" TEE (FL)
- 1 - 4" BLIND FLANGE W/2" TAP
- 3 - 4" GATE VALVES (FL)
- 1 - 4" MEGALUG GLAND
- 1 - MAIN SIZE UNI-FLANGE
- 1 - 4" GATE VALVE (FL X MJ)
- 1 - 4" BRONZE BASKET STRAINER (FL)
- 1 - 4" ROCKWELL COMPOUND METER (FL) W/TRPL
- 1 - 4" X 12" SPOOL (PE)
- 2 - 4" UNI-FLANGES
- 1 - 4" SILENT CHECK VALVE (GLOBE STYLE)(FL)
- 2 - ADJUSTABLE PIPE SUPPORTS
- 1 - MAIN SIZE SPOOL (PE)
- 1 - MAIN SIZE ADAPTOR (FL X MJ)

- 2" COPPER BY-PASS ASSEMBLY:
- 1 - 4" BLIND FLANGE W/2" TAP
 - 1 - 2" CORP. STOP (IP X COMP)(BRASS)
 - 1 - 2" ADAPTOR (IP X COMP)(BRASS)
 - 1 - 2" 90° BEND (IP)(BRASS)
 - 1 - 2" CHECK VALVE (IP)(BRASS)
 - 1 - 2" X 3/4" TEE (IP)(BRASS)
 - 1 - 3/4" BALL VALVE (IP)(BRASS)
 - 2" HARD COPPER PIPE (LENGTH TBD)
 - 3 - BRASS NIPPLES (LENGTH AS NEEDED)
 - MISC. 2" ADAPTORS (BRASS)
 - SECURE COPPER PIPE TO VAULT WALL



METER SUPPLIED BY HIGHLINE WATER DISTRICT.
DEVELOPER TO MAKE APPLICATION FOR METER WITH HWD.

SECURE LADDER TO VAULT
WALL AND FLOOR

** RETROFIT MAY VARY

NEW 4" & LARGER METER INSTALLATION

NTS



REVISION DATE
7/10/08

DRAWN
SED

CHECKED
TDK

DISTRICT APPROVED
TDK

PLOTTING SCALE
NTS

FILE NAME
F:\DWGS\DETAILS-2004\HWD-024

DATE APPROVED
7/10/08