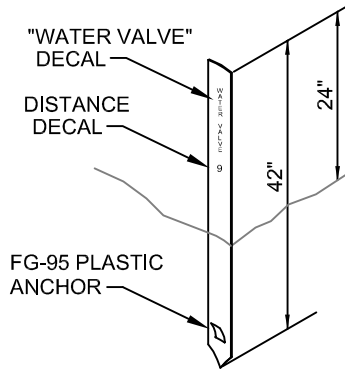
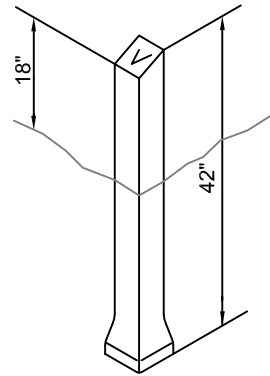


VALVE MARKER POSTS



PREFERRED  
FLEXI-GUIDE (FG) MARKER POST  
(BY HANSON SUPPLY CO.)

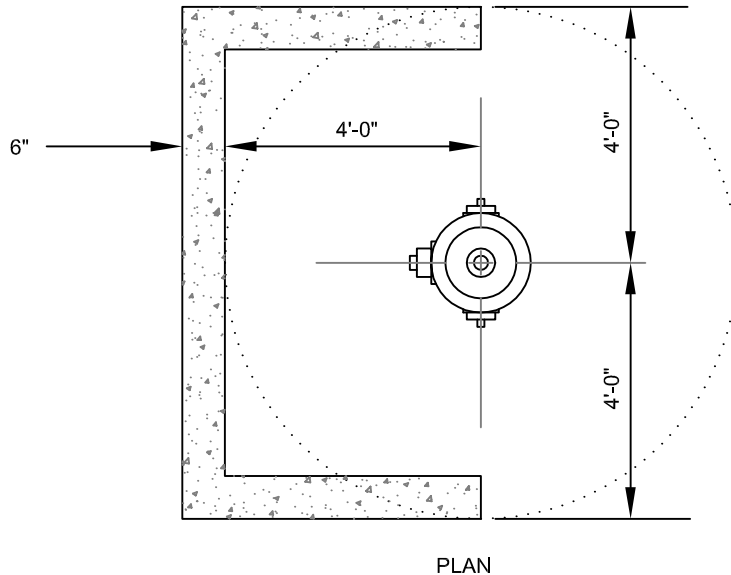
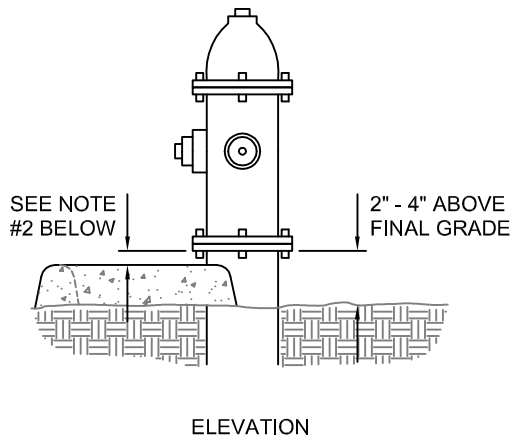


ALTERNATE  
VALVE MARKER POST  
(4" X 4" CONCRETE STYLE)

NOTES:

- 1) PAINT POST WITH SAFETY BLUE ENAMEL #257, AS MANUFACTURED BY FARWEST PAINT MFG. CO. OR TAHOE BLUE MARATHON #1065, AS MANUFACTURED BY PARKER PAINT CO..
- 2) NEATLY STENCIL DISTANCE TO VALVE ON POST W/2" NUMERALS USING DECALS OR WHITE ENAMEL PAINT.
- 3) ALTERNATE PLACEMENT OF STENCIL(S) WILL BE MADE BY HWD IF USE OF MARKER POST(S) ARE NOT PRACTICAL.

EXTRUDED CURBING



NOTES:

- 1) FIRE HYDRANTS SHALL BE PROTECTED BY 6" HIGH EXTRUDED CURBING WHERE DIRECTED BY HIGHLINE WATER DISTRICT ENGINEER OR REPRESENTATIVE.
- 2) IF AREA WITHIN PROTECTIVE CURBING IS FILLED IN, THE BOTTOM OF THE HYDRANT FLANGE IS REQUIRED TO HAVE A CLEARANCE OF 2" TO 4" ABOVE THE FINAL GRADE.

**VALVE MARKER POST  
AND EXTRUDED CURBING**

NTS



REVISION DATE  
6/3/2010

DRAWN  
SED

CHECKED  
TDK

DISTRICT APPROVED  
TDK

PLOTTING SCALE  
NTS

FILE NAME  
F:\DWGS\DETAILS-2004\HWD-010

DATE APPROVED  
3/1/04