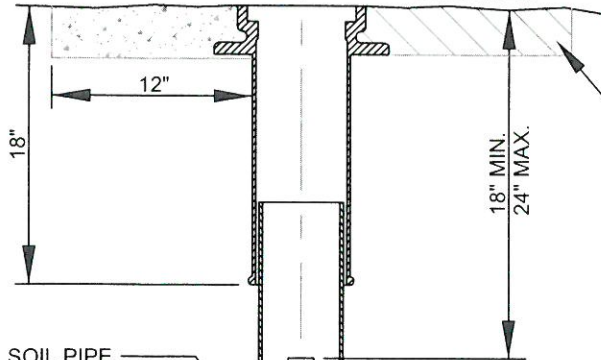


MATCH EX. HMA PAVEMENT
DEPTH OR 4" MIN.
TACK ALL SEAMS W/ AR4000

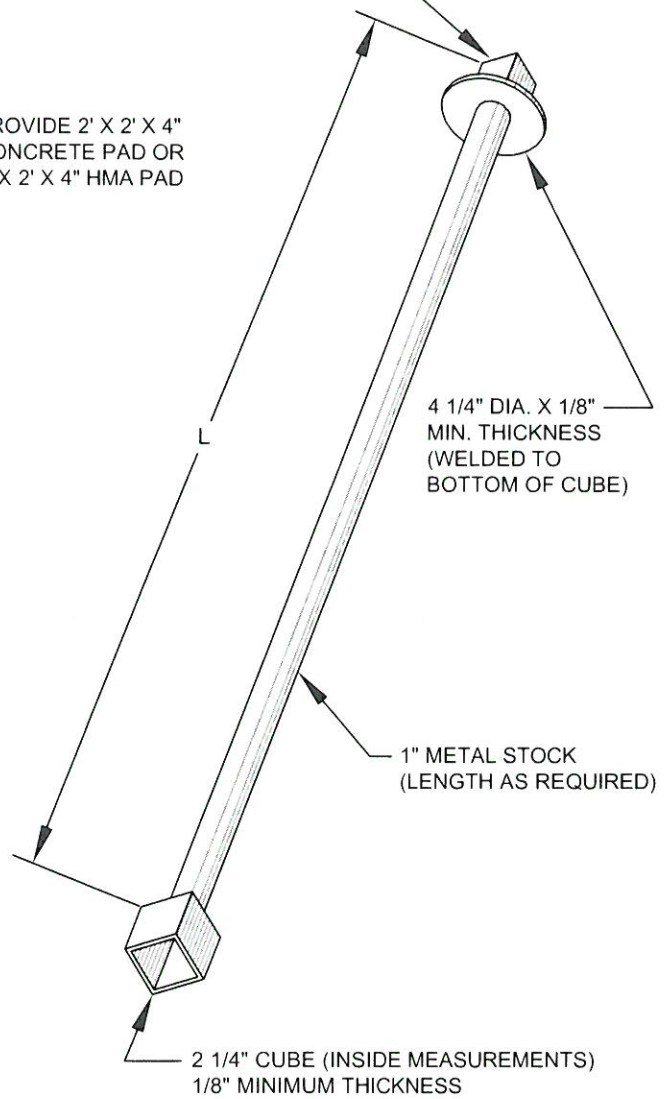
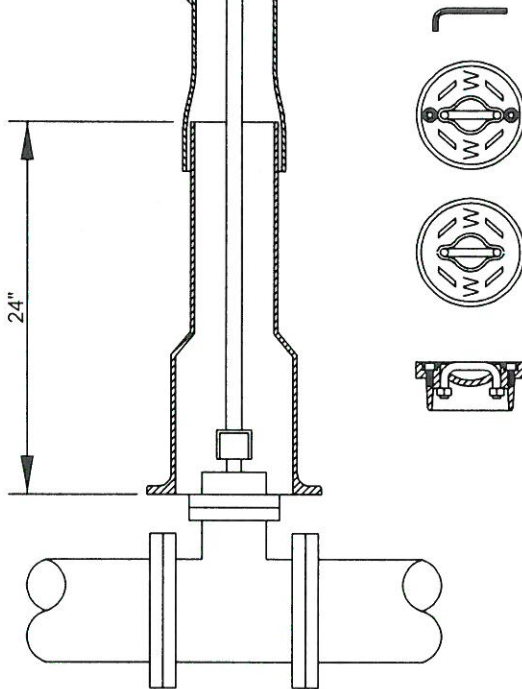
UNIMPROVED
SURFACES

2" CUBE



PROVIDE 2' X 2' X 4"
CONCRETE PAD OR
2' X 2' X 4" HMA PAD

SOIL PIPE
(IF NEEDED)
(LENGTH AS REQ'D)



4 1/4" DIA. X 1/8"
MIN. THICKNESS
(WELDED TO
BOTTOM OF CUBE)

1" METAL STOCK
(LENGTH AS REQUIRED)

2 1/4" CUBE (INSIDE MEASUREMENTS)
1/8" MINIMUM THICKNESS

NOTES:

- VALVE BOX SHALL BE 2-PIECE CAST IRON WITH LID.
- SOIL PIPE TO BE USED FOR VALVE BOX EXTENSIONS.
- OPERATING NUT EXTENSIONS REQUIRED WHEN THE VALVE NUT IS MORE THAN FOUR (4) FEET BELOW FINISHED GRADE.
- EXTENSIONS ARE TO BE A MINIMUM OF TWO (2) FEET IN LENGTH.
- ONE (1) EXTENSION IS TO BE USED PER VALVE.
- ALL EXTENSIONS ARE TO BE MADE OF STEEL, SIZED AS NOTED, AND PAINTED WITH TWO (2) COATS OF ENAMEL PAINT.
- SEE APPROVED MATERIALS LIST.
- LOCKING VALVE BOX LID TO BE USED FOR DDCVA INSTALLATIONS, HIGH TRAFFIC AREAS OR AS DETERMINED BY HWD REPRESENTATIVE.
- TWO (2) 3/8" X 1 1/2" STAINLESS STEEL ALLEN HEAD BOLTS & 5/16" ALLEN WRENCH ARE REQUIRED FOR THE LOCKING VERSION OF THE VALVE BOX LID.
- INSTALL VALVE MARKER POST PER HWD STANDARD DETAIL.

**VALVE BOX ASSEMBLY, SOIL PIPE &
VALVE OPERATING NUT EXTENSION**

NTS



APPROVAL DATE
10/21/2020

DRAWN
SED

CHECKED
DS

BD
10/20/20

PLOTTING SCALE
NTS

DETAIL NUMBER
HWD STANDARD DETAIL 10

10